

Overview of TeamWorks Workflow

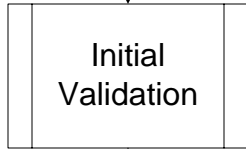


UMS User Submits Request

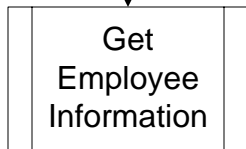
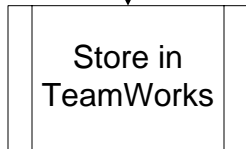
Request Types

- 500208 – Salary/Fund Change
- 500210 – Fund Change Only
- 500211 – Salary Change Only

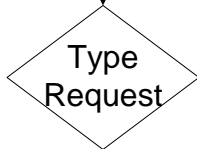
Status/
Error
Codes



0001, 10001, 10002,
10003, 10004, 10005,
10006, 10007, 10008,
10009, 10010, 10011,
10012, 10013, 10014,
10015, 10018, 10601,
10602, 10603, 10604,
10605, 10609, 10801,
10802, 10803, 10807,
10808, 10810, 10813,
10814

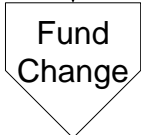


10016

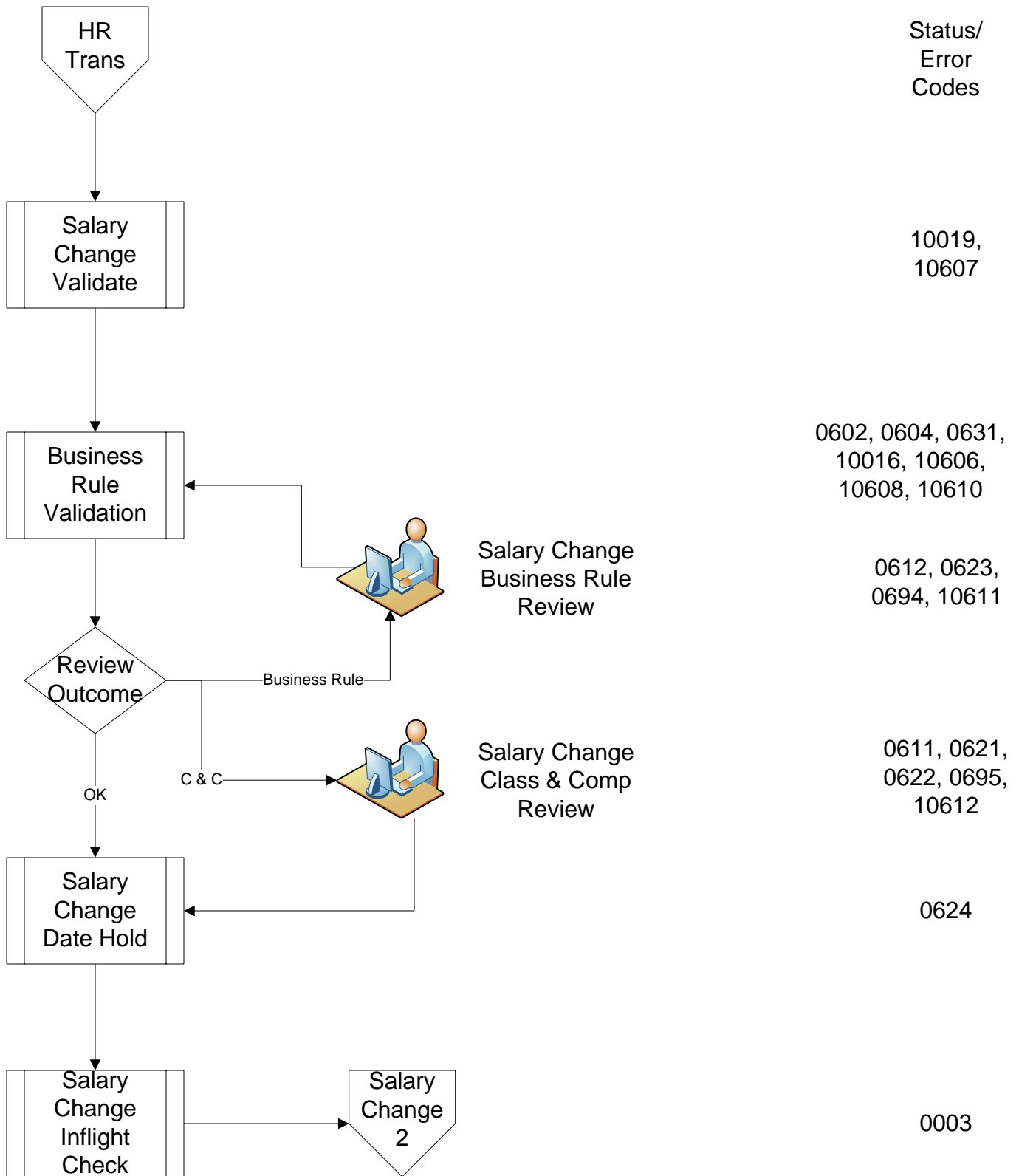


500208/500211

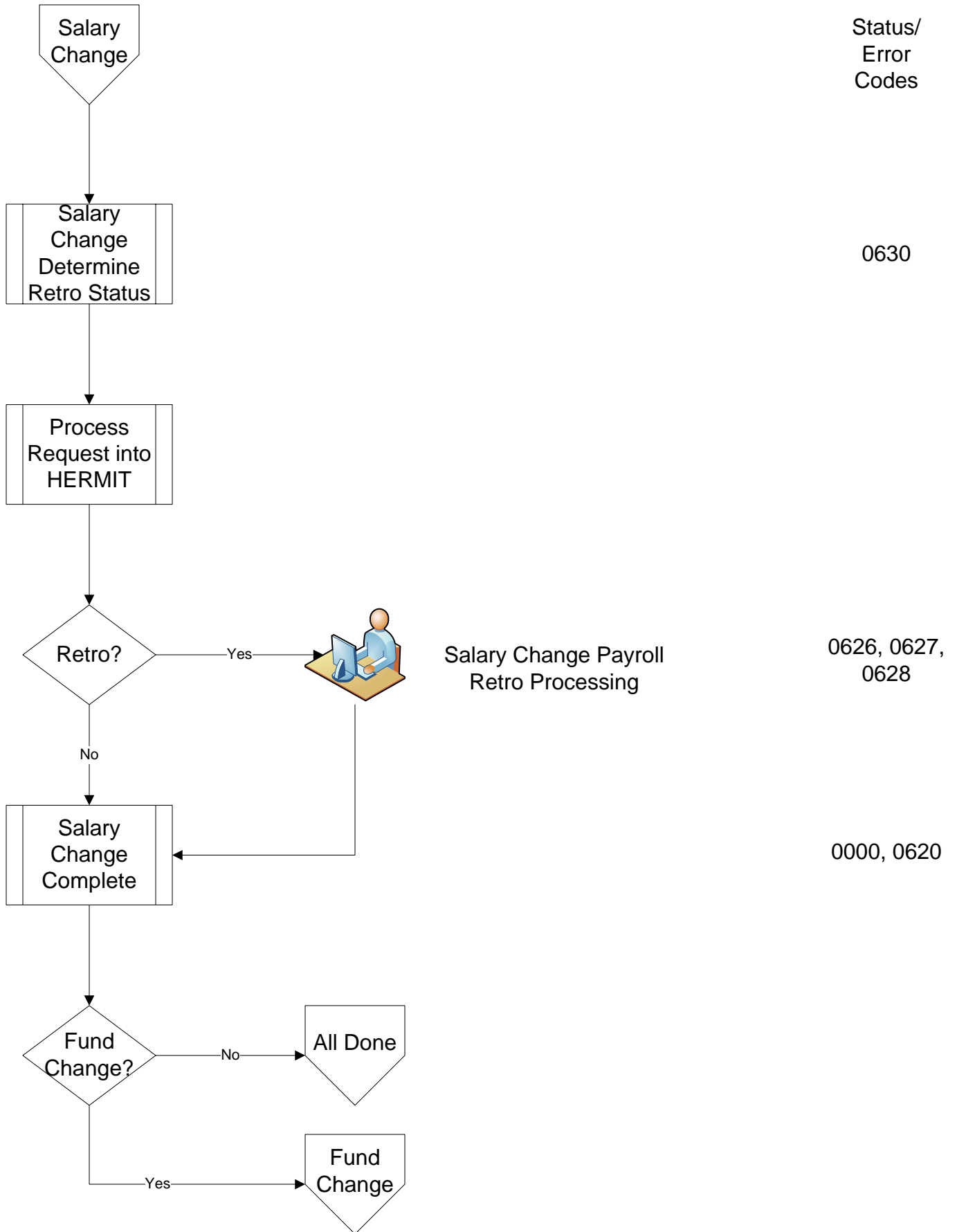
500210



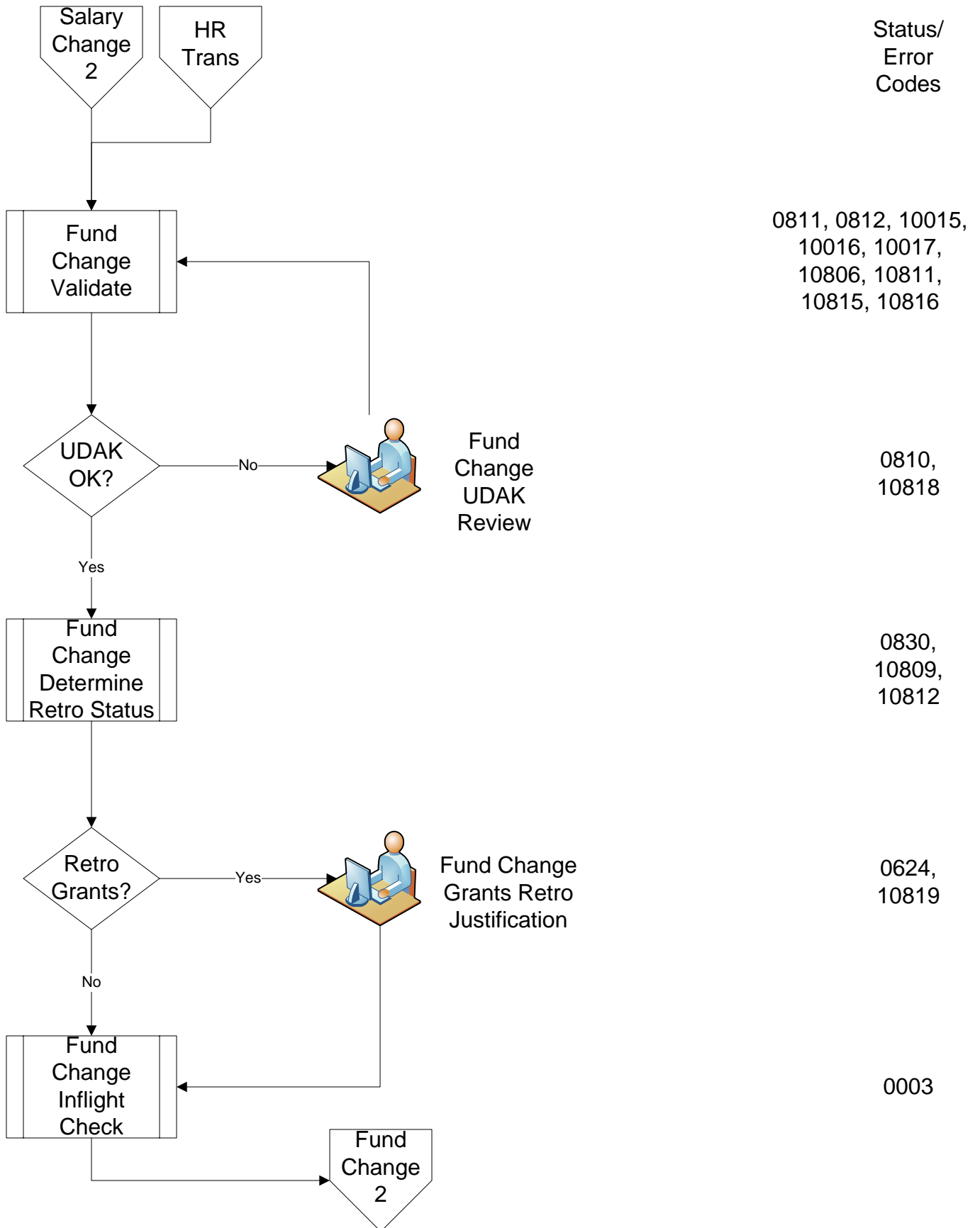
Overview of TeamWorks Workflow



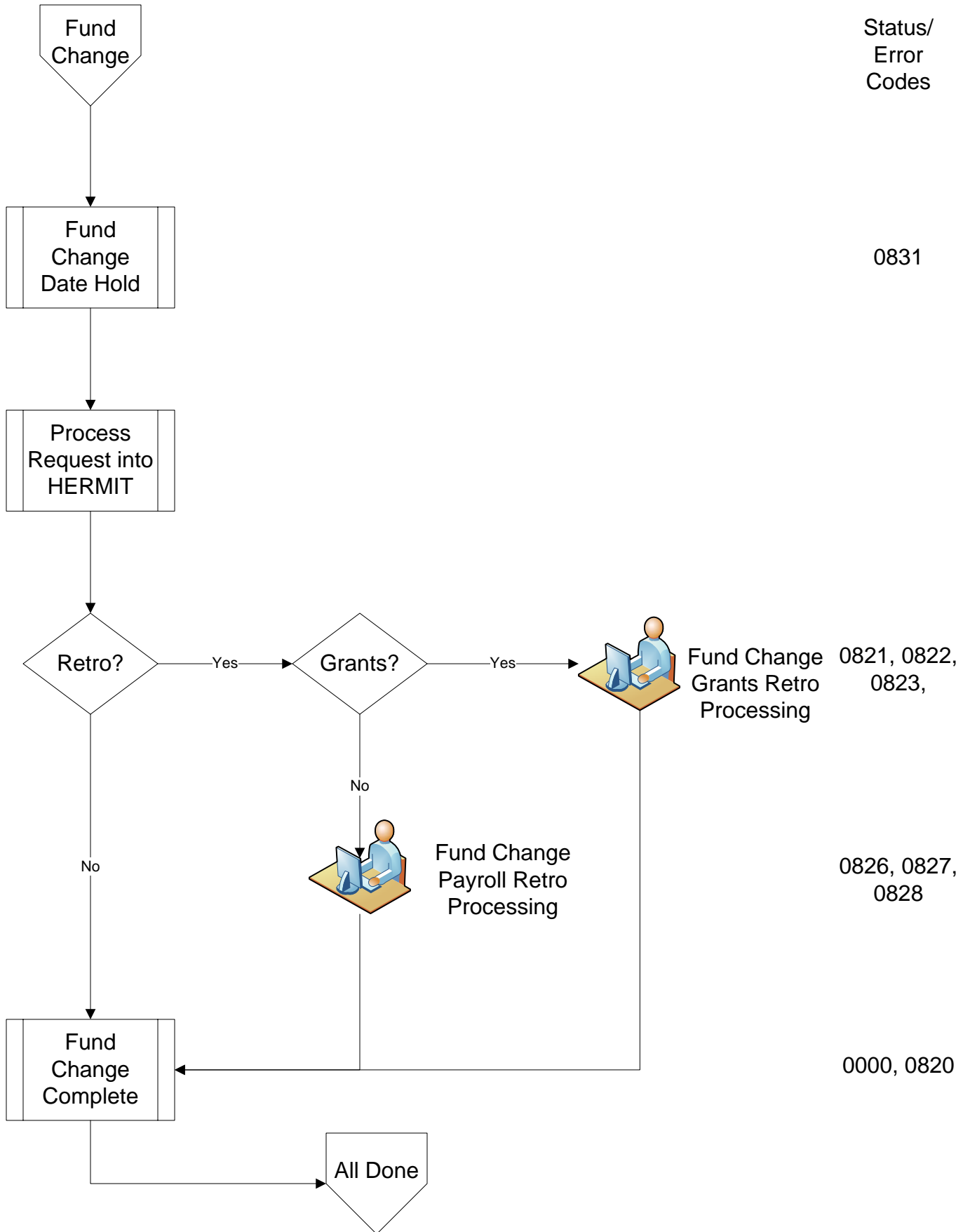
Overview of TeamWorks Workflow



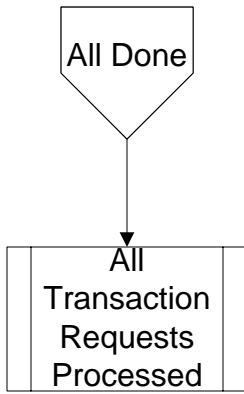
Overview of TeamWorks Workflow



Overview of TeamWorks Workflow



Overview of TeamWorks Workflow



Status/
Error
Codes

0000, 0099,
0699, 0899